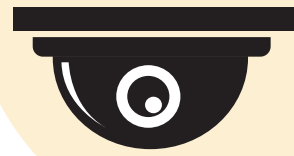


SN-IPR54/31AKDN

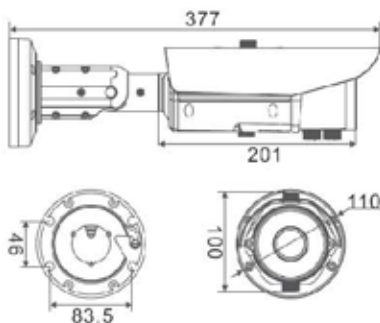
3MP WDR Network IR Bullet



Key features

- 1/3" Progressive Scan CMOS
- VF Lens 3.3-12mm
- 3.0MP resolution
- True WDR>100dB
- Multiple Streams
- IR Range 30-40m
- 3D DNR ,ICR,SD

Dimension



Accessories



Specifications

CAMERA	
Image Sensor	1/3" Progressive Scan CMOS
Min. illumination	Color 0.5Lux;IR ON 0 Lux
Day & Night	ICR
Shutter Speed	1/5-1/50000
Auto Iris	Yes
Wide Dynamic Range	True WDR >100dB
Digital Noise Reduction	2D/3D
Lens	3.3-12mm Lens
FOV	80° ~ 35°
IR LED	17pcs
IR Range	30-40m
IMAGE	
Video Compression	H.264 High/Main/Baseline Profile, MJPEG
Bit Rate (CBR/VBR)	Main stream:500kb-12000kb ;Sub stream 100kb-6000kb
Audio Compression	G.711 ,RAW_PCM
Max.Resolution	2048x1536/20fps
Stream	Stream 1 2048x1536/1920x1080/1280x720 Stream 2 D1 to QVGA
Image Setting	Rotate Mode,Saturation,Brightness,Contrast,Sharpness
HLC	Auto
ROI	N/A
Defog	N/A
NETWORK	
Network Protocols:	HTTP,HTTPS, TCP/IP, UDP/IP, RTSP, DHCP, NTP, PoE, Unicast and Multicast supported.
Alarm Trigger	Motion Detection,Network disconnect,Disk alarm,I/O alarm
RTSP Video	Standard RFC2326, Support QuickTime / VLC Player.
Security	User security authentication, Reset, Hardware WatchDog
Web Language	English, Chinese, Polish, Italian, Portuguese, Spanish.(Sunell Brand)
System Compatibility	Onvif,CGI
Interface	
Ethernet	1 Ethernet (10/100 Base-T) RJ-45 Connector
Audio I/O	1ch Audio In,1ch Audio Out
Alarm I/O	Default Not support,Optional 1ch Alarm In, 1ch Alarm Out
RS485	N/A
BNC Output	Yes
Reset Button	Yes
Edge Storage	Micro SD/SDHC ,Max 32GB
GENERAL	
Power Supply	DC12V/POE
Power Consumption	5W(IR LED OFF); 11W (IR LED ON)
Operating Temperature	-10℃ ~+60℃
Operating Humidity	0%- 90%RH
Ingress Protection	IP66
Approvals	CE / FCC
Product Dimensions	φ 110×377mm
Product Weight	1680g